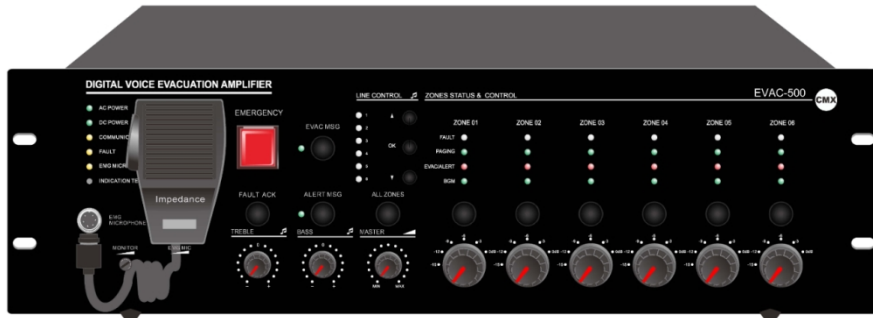


6 Zone Voice Evacuation Controller EVAC-240



EN54-16

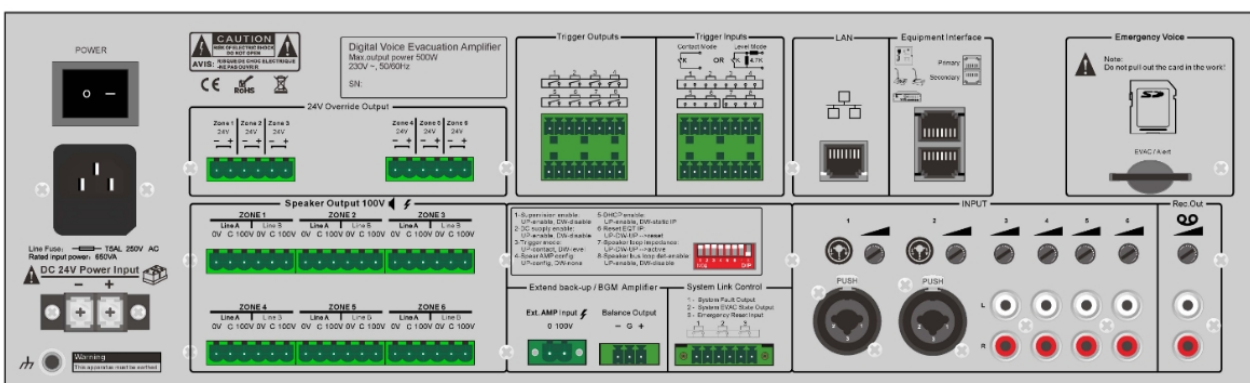
Description:

The EVAC-240 voice evacuation controller is EN54-16 certified public address & voice evacuation system. The all in one voice alarm & evacuation controller built-in remote PC software, zone paging controller, all main signal line monitoring, amplifier changeover, speaker line supervision, power supply monitoring and power amplifier, voice recorder, SD card, emergency microphone and fire alarm interface. The voice evacuation controller is innovated with most advanced DSP (digital signal processor) to ensure its hi-fi audio performance and superior signal processing in case of commercial announcement and emergency evacuation. Each controller built-in 6 zone speaker outputs, rated power output at 240W. The voice evacuation controller shall be pre-set through the supplied software over microphone number, zone number, zone loading, speaker monitoring, fire alarm mode, alert/EVAC message zone output, AC/DC etc, , then synchronized the setting to master controller and router. The voice evacuation system is strictly follow the Construction products Regulation (EU) No 305/2011: EN54-16:2008 Voice Alarm Control and Indicating Equipment.

Feature:

- EN54-16 certification No. I/ISEETC. 000620190305.
- Digital voice evacuation system all in one controller.
- Integration of voice evacuation controller, remote PC software, zone paging controller, all main signal line monitoring, amplifier changeover, speaker line supervision, power supply monitoring and power amplifier, voice recorder, SD card, emergency microphone and fire alarm interface.
- Auto broadcasting EVAC and alert 256 voice messages to pre-set zones.
- Customized alert, evacuation & business message stored at SD card.
- AB speaker line surveillance to avoid any speaker line failure.
- Back-up power amplifier management.
- Up to 120 zones by cascaded more router EVAC-240RT.
- Support 32 units of remote paging microphone EVAC-500RM.
- Support external connection of fireman microphone EVAC-500FM.
- Support of touch screen microphone EVAC-500TM.
- Redundant network cabling backup through CAT6 cable loop connection.
- 8 supervised control inputs & 8 control outputs, 1 fault, 1 reset & 1 EVAC relay outs.
- Logs and fault events auto recording.

Rear Panel:



6 Zone Voice Evacuation Controller EVAC-240

Specification:

Model	EVAC-240
Description	6 Zone Voice Evacuation Controller
Rated Power Output	240W
Fireman Microphone	5Mv, 600Ω
Line 1-2 Inputs	385mV, 10kΩ balanced Combo XLR
Line 3-6 Inputs	350mV, 10kΩ, RCA
Frequency Response	80Hz~20kHz
THD	<1% at RMS,1KHz
S/N Ratio	>70dB
Speaker Output	100V AB 6 zone speaker outputs
REC Output	200mV
Control Input & Output	8 control inputs: Max 3.3V (voltage mode) or 0V closed contact; 8 control outputs: 0V closed contact; 1 fault, 1 reset & 1 EVAC relay outs
Voice Message	MP3 or WMA format, two separate players of SD card, programmable voice message up to 256, 10 years valid
Event Record	HEX format, Hard Flash memory, events up to 1000 records, 10 years valid
Operation Environment	Operation Temp: +5°C ~ +40°C; Store Temp: -20°C ~ +70°C; Operation Humidity: <95%
Power Consumption	300W
Power Supply	AC230V or 115V & 24V DC inputs, 50-60HZ
AC Fuse	250V/6.3A, slow type and restorable fuse
Dimension	484×132×449mm
Weight	21kg

Connection Diagram:

