

4" 2-Way Outdoor Wall Mount Speaker WSK-420CSIP



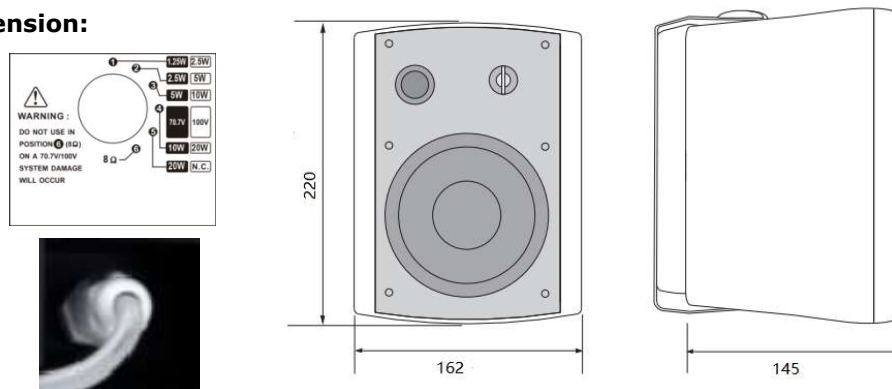
Feature:

- Commercial public address speaker with transformer
- Ideal for outdoor BGM and paging system
- Power output 20-10-5-2.5W & 8Ω
- 4" weatherproof woofer and 1" mylar tweeter 2-way speaker system
- ABS enclosure, metal grille in black
- ABS enclosure, aluminum grille & stainless mounting bracket in black
- Waterproof cable gland secure wiring is protected for outdoor
- **WSK-420CSWIPW as option of white color**

Specification:

Model	WSK-420CSIP
Description	Outdoor Wall Mount Speaker
Rated Power Output	20W
Power Taps	20-10-5-2.5W & 8Ω
Line Input	100V or 70V & 8Ω
Frequency Response	100-20KHz
SPL(@1W/m)	88±3dB
IP Rate	IP66
Speaker Unit	4" weatherproof woofer and 1" mylar tweeter 2-way speaker system
Dimension	220×162×145mm
Material	ABS enclosure, aluminum grille & stainless mounting bracket in black
Mounting Way	Quick installation by supplied stainless mounting bracket
Net Weight	2.2kg

Side View & Dimension:



Impedance VS SPL Diagrams:

